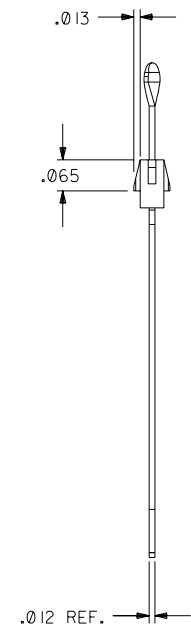
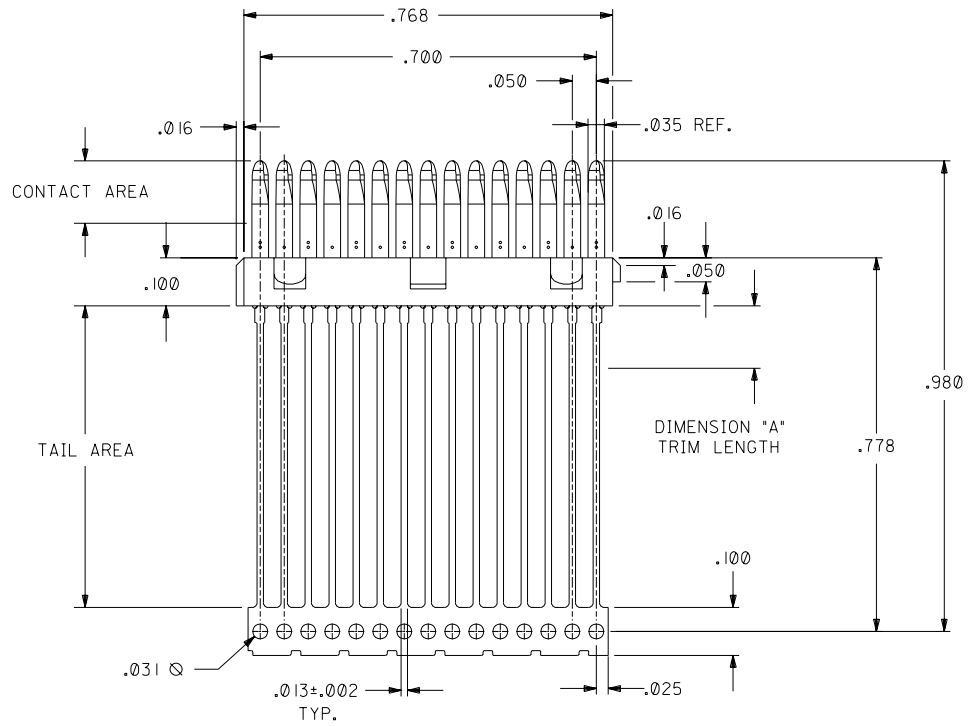
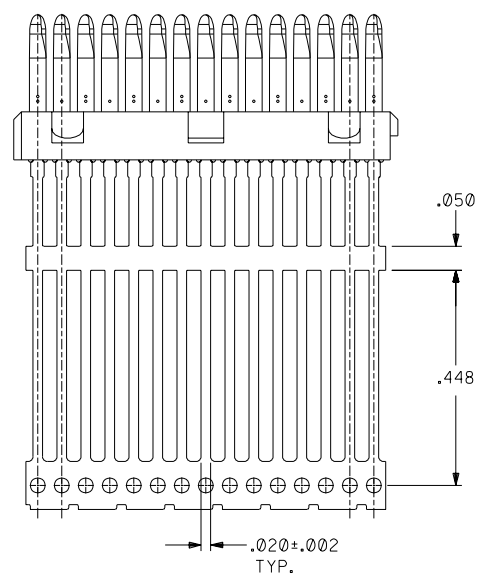


13	12	11	10	9	8	7	6	70984	4	3	2	1
PART NUMBER	ENGINEERING NUMBER	DIMENSION "A"	BUSBAR OPTION	PLATING								
				CONTACT AREA					TAIL AREA			
051-24-2021	70984-1001	N/A	NO	.000030/(0.00076) MINIMUM GOLD OVER A NICKEL UNDERPLATE					.000100/(0.00254) MINIMUM TIN OVER A NICKEL UNDERPLATE			
051-24-2022	70984-1002	.130±.010	NO	.000030/(0.00076) MINIMUM GOLD OVER A NICKEL UNDERPLATE					.000100/(0.00254) MINIMUM TIN OVER A NICKEL UNDERPLATE			
70984-1007		N/A	YES	.000030/(0.00076) MINIMUM GOLD OVER A NICKEL UNDERPLATE					.000050/(0.00127) MINIMUM NICKEL			
70984-1010		N/A	YES	.000030/(0.00076) MINIMUM GOLD OVER A NICKEL UNDERPLATE					.000200/(0.00508) MINIMUM TIN OVER A NICKEL UNDERPLATE			
70984-1014		.130±.010	NO	GOLD FLASH OVER A NICKEL UNDERPLATE					.000100/(0.00254) MINIMUM TIN OVER A NICKEL UNDERPLATE			

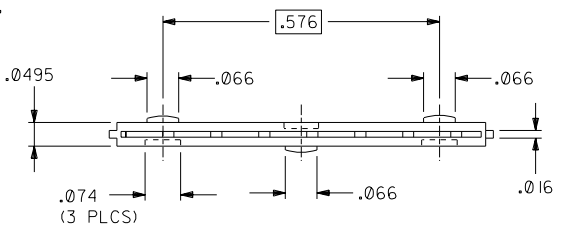
BUSBAR OPTION
(SEE CHART FOR PART #'S)



NOTES

- MATERIALS:
INSULATOR: GLASS FILLED LIQUID CRYSTAL POLYMER (LCP), UL 94V-0, COLOR: BLACK.
TERMINAL: PHOSPHOR BRONZE, .012 THICK.
PLATING: SEE CHART
- FOR PART NUMBERS AND PLATING OPTIONS, SEE CHART.
- PARTS CONFORM TO PRODUCT SPECIFICATION PS-70928.
- PACKAGED PER SPECIFICATION PK-70873-0335 APPLIES.

NOTE FOR LEAD FREE CONVERSION:
THE PRIMARY SHIPPING CARTON WILL BE LABELED "COMPLIANT TO ROHS DIRECTIVE 2002/95/EC AND ELV ANNEX II OF DIRECTIVE 2000/53/EC". CARTONS WITHOUT THIS LABEL MAY CONTAIN PRODUCT WITH LEAD.



DIMENSIONS ARE IN INCHES

UNLESS OTHERWISE SPECIFIED TOLERANCES: ANGULAR ± 1/2°	
3 PLACE ± .010	---
2 PLACE ± ---	± ---
1 PLACE ---	± ---
DRAFT WHERE APPLICABLE MUST REMAIN WITHIN DIMENSIONS	
DRWG. BY SCHMIDGALL	CHK'D. BY MOS
APP'D. BY CAB	SCALE 5: 1

TITLE		MFG. SH. REV. LTR. REVISIONS	
15ck+ LFH PLUG INSERT MOLDED CONTACT ASSEMBLY - SALES DETAIL		REVISIONS	
MOLEX INCORPORATED		SHEET NO.	DATE
LITSE, ILL. 60532 U.S.A.		1 OF 1	08/04/93
PART NO. SDA-70984-100*		DRWG. NO.	
SEE CHART			
FILE NAME 570984X1.DGN		DIV.	SIZE
THIS DRAWING CONTAINS INFORMATION THAT IS PROPRIETARY TO MOLEX INC. AND SHOULD NOT BE USED WITHOUT WRITTEN PERMISSION.		CD	C

70984